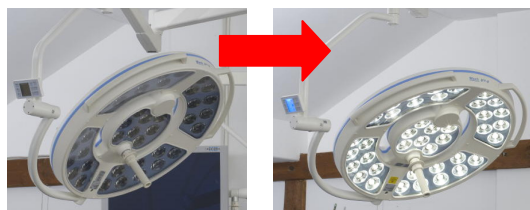
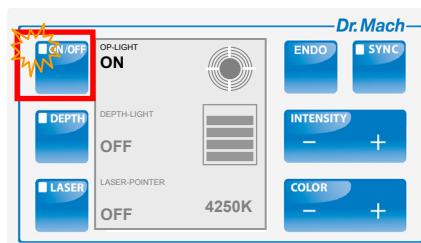


Overview of the light functions

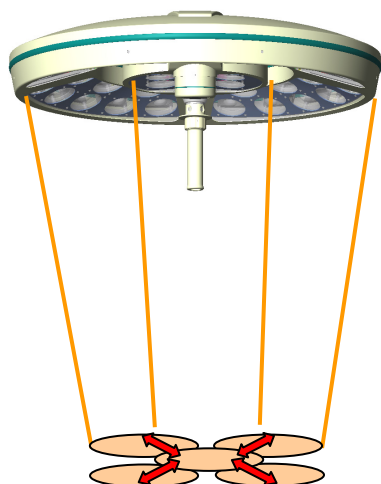
Switching the OT-light ON/OFF is done by...



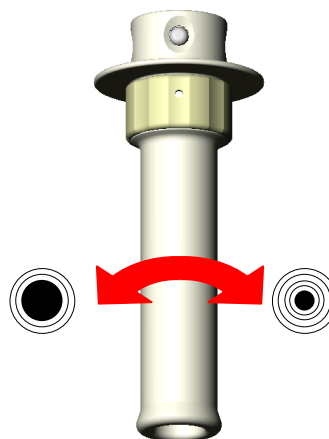
...pressing the ON/OFF key



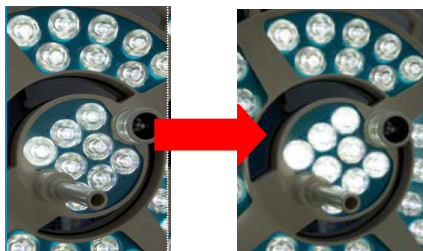
Changing the light field size is done by...



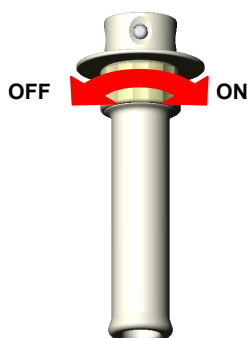
...turning the sterilisable handle



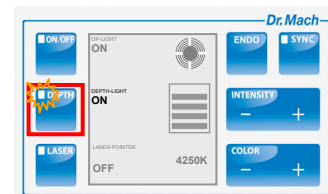
Depth light is activated by...



...turning the ring at the sterilisable handle...



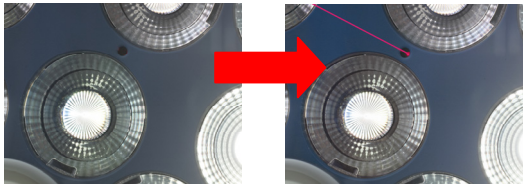
...or by pressing the DEPTH key



Remark:

The depth light function on the ring is pre-set by Dr. Mach at delivery. The customer can transfer all other available functions (except **ENDO**) of the LED-light to the ring on request. The transfer procedure is described in the following chapters.

Option:
The laser pointer is turned ON/OFF by...

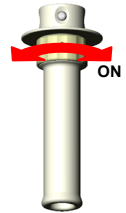


...pressing the LASER key...



...or by turning the ring at the sterilisable handle

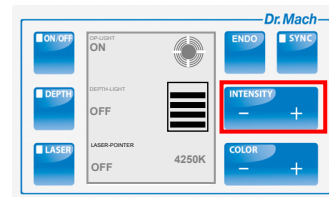
In order to transfer the laser pointer function to the ring of the sterilisable handle, press first push button "LASER" and then the ON/OFF button on the key pad.
The "LASER" display is blinking.



The light intensity control is adjusted by...

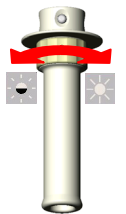


...pressing the INTENSITY - or INTENSITY + key

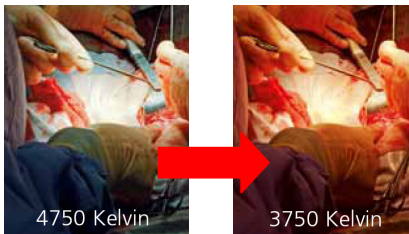


...or by turning the ring at the sterilisable handle

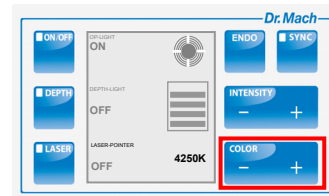
In order to transfer the light intensity adjustment function to the ring of the sterilisable handle, press first push button "INTENSITY -" or "INTENSITY +" and then the ON/OFF button on the key pad.
The frame around the light intensity level display is blinking.



The light colour is adjusted by...



...pressing the COLOR - or COLOR + key



...or by turning the ring at the sterilisable handle

In order to transfer the colour temperature adjustment function to the ring of the sterilisable handle, press first push button "COLOR -" or "COLOR +" and then the ON/OFF button on the key pad.
The colour temperature display is blinking.



ENDO-Light is activated by...



...pressing the ENDO key

